

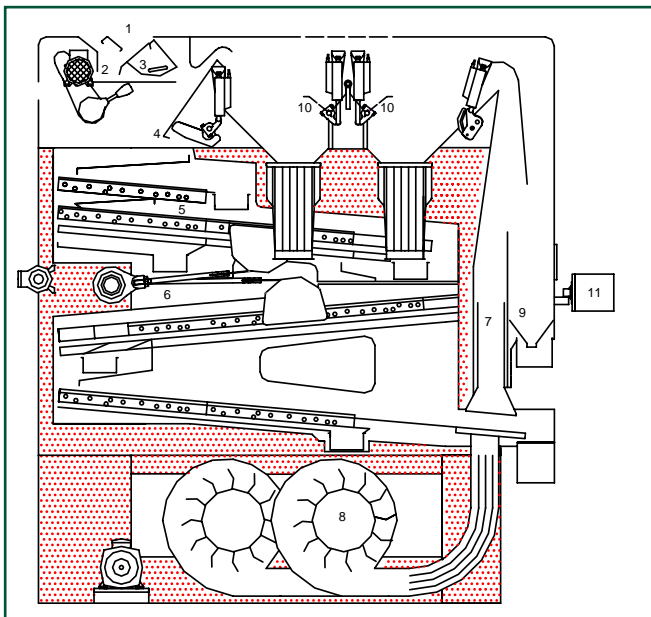
# Data Sheet 104

## Cimbria DELTA Super 104



Cimbria DELTA Super 104 has been developed for high quality fine cleaning of malting barley, seed grain, legumes, grass and garden seeds.

The machine's efficient screen system with its accurately matched stroke and frequency, is complemented by Cimbria's highly developed pre- and after suction system. Two air lifting blowers at the bottom of the machine ensure unrivalled air cleaning and grading.



### 1. Inlet

Optimal feed over the width of the machine is achieved by a shaker feeder, with stepless adjustment via frequency regulation.

### 2. Shaker feeder

Ensures an uniform feeding on the entire width of the machine also when cleaning difficult flowing products, i.e. grass seed, in addition the shaker feeder also prevent the product from flowing when the shaker feeder has stopped.

### 3. Adjustable feed gate.

The feed gate will only be adjusted when the opening need to be bigger due to difficult flowing products, i.e. grass seed.

### 4. Pre-suction

With finely adjustable suction intake directly under the feed gate for effective removal of fine particles.

### 5. Screens

(L x W = 800 x 1250 mm) can be employed as sieves, sorters or graders, and are effectively kept clean by rubber balls in newly developed ball boxes. It is not necessary to take out the ball boxes when changing screens.

### 6. Eccentric drive system for screen boats

Supplied standard with fixed speed alternative frequency regulation.

### 7. After suction

Light particles are sucked out of the product flow on the air screen and lead through the air lifting channel to the expansion chamber, from where it is extracted by screw conveyor.

### 8. Two air lifting blowers

Ensure a homogenous airflow and support the after suction considerably. Delivered with frequency regulation. The system is used to separate light grains with low germination, from the final product, by blowing the light product up into the airlifting channel, and separated in the expansion chamber the husk will be lifted in to the after suction blower, and the light kernels will fall in to the middling outlet.

### 9. Outlet for middling product

### 10. False air intakes (2 pcs.)

For adjustment of air quantity in both the pre- and after suction systems.

### 11. Adjustment

Remote control of integral motor for shaker feeder, air lifting unit, pre suction, after suction and air velocity. The adjustment of the above is placed in a small control box, which is placed on the cleaner.

<b>Capacity based on 15% H<sub>2</sub>O:</b>	
<b>8% incoming up to 2% under 2.2 mm</b>	
Wheat, Rye, Sorghum and Malting Barley	5.0 t/h
Oats, Maize, white Rice	4.0 t/h
Soya, Peas, Rape, green Coffee	4.0 t/h
Paddy rice	3.0 t/h
Sunflower, roasted Coffee	2.0-2.5 t/h
Rye grass, clover and Beet seed	0.75-1.0 t/h
<b>Dimensions:</b>	
Machine height (without fan)	3062 mm
Machine length	3086 mm
Machine width	1815 mm
Height, standard inlet hopper	532 mm
<b>Screen area:</b>	
7.0 m <sup>2</sup>	
<b>Square outlet pipes:</b>	
(Adapter to round available)	
a) from screens	160 x 160 mm
b) from expansion chambers	200 x 200 mm
<b>Motors: (standard):</b>	
Screen	1,5 kW
Lifting air fans (integral)	2,2 kW
Shaker feeder (integral)	0,75 kW
Top fan (optional)	5.5 kW
<b>Air volume:</b>	
Pre- and after suction	8200 m <sup>3</sup>
<b>Total weight of cleaner:</b>	
Without top fan	2875 kg
Freight volume	17 m <sup>3</sup>
Dynamic loading at 4.6 - 4.8 Hz:	
PH= +/- 123 N	PV= +/- 1115 N
10 N = 1 kg	

Technical data can vary for certain of the above due to continued development, or a different machine composition.

This DELTA cleaner can, in a few minutes, be converted to different cleaning programmes, e.g.:

- Beans, lupin seed, maize
- Oats, wheat
- Rye grass, Red fescue
- Rape, peas, lentils

Copyright © - The right to alterations is reserved