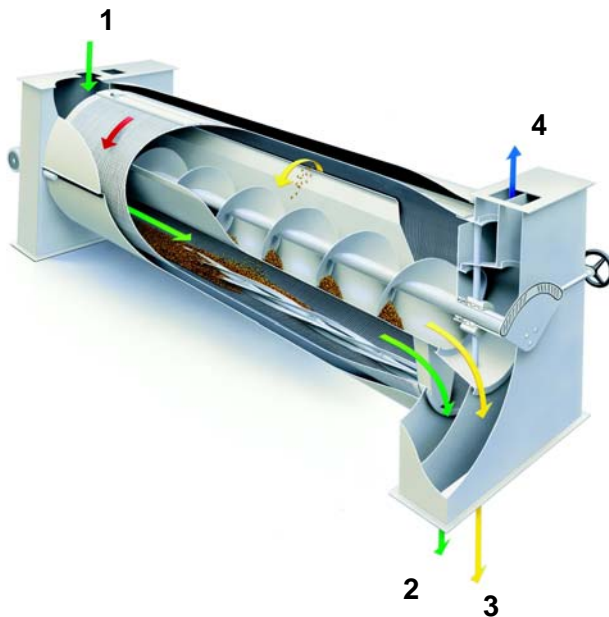




Indented Cylinder Separators HSR 1010 R - HSR 16010 R

Indent cylinder are used for length grading of all granular materials such as wheat, oat, maize, rice, fine, lentils, stones from peas, sticks from sunflower or sugar beet, plastic particles etc., as well as for the extraction of unwanted short or long admixtures.



The grains that embed themselves fully into the indents, will be lifted and after a certain distance (adjustable to suit) will fall out of the pockets under gravity into the trough (Trough-Product) and will be discharged by means of a conveying screw.

Those kernel, however which are longer than the indent diameter will immediately slide out and remain on the inside surface of the indent cover (Shell-Product). This shell product flows to the discharge point of the cylinder and will be discharged into the outlet housing.

Depending on the necessary separation.

Optional equipment

On request the machine can be equipped with:

- Pocket air cleaning system
- Adjustable cylinder inclination
- Stirring device
- Wear resistant lining
- Adjustable speed
- Automatic trough adjustment

Through the inlet housing, the granular material to be graded flows into the interior of the rotating cylinder whose cover is provided with special deep drawn "tear-drop or spherical" shaped pockets for the most precise length separation.

1. Inlet
2. Good product (wheat)
3. Round grain (broken kernels and weeds)
4. Aspiration

Technical data	Type HSR									
	1010	2010	3010	4010	5010	6010	8010	10010	12010	16010
Capacity t/h										
Wheat	1,0	2,0	3,0	4,0	5,0	6,0	8,0	10,0	12,0	16,0
Barley	0,8	1,6	2,4	3,2	4,0	4,8	6,4	8,0	9,6	12,8
Rice (white)	0,4	0,8	1,2	1,6	2,0	2,4	3,2	4,0	4,8	6,4
Motor (standard) kW	0,37	0,55	1,1	1,1	1,1	1,1	3,0	3,0	3,0	4,0
Air requirement m ³ /min	6	7	9	9	9	9	12	12	12	12
Cylinder dim. mm										
∅	400	400	600	600	600	600	900	900	900	900
Length	1000	2000	1500	2000	2500	3000	2000	2500	3000	4000
Dimensions mm										
Length	1675	2675	2545	3045	3545	4045	3320	3820	4325	5325
Width	705	705	920	920	920	920	1150	1150	1150	1150
Height	630	630	870	870	870	870	1240	1240	1240	1240
Net weight kg	210	340	490	555	615	735	990	1120	1245	1315

Technical data can vary for certain of the above due to continued development, or a different machine composition.

Copyright © - The right to alterations is reserved

